



INSTRUCTIONS



KAS GOGGLES CAM KAS Cam Pro Mount



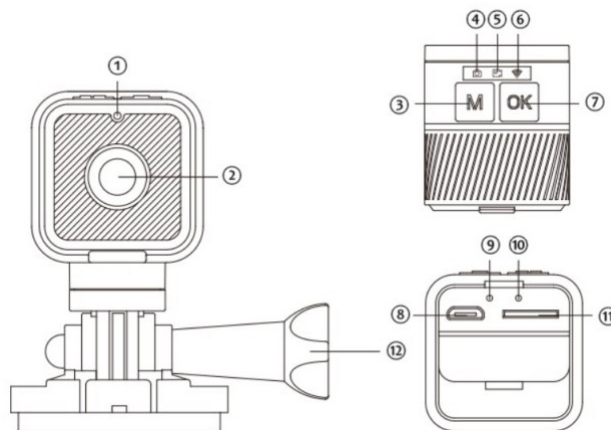
KAS SYSTEM

We are a specialized company in manufacture and distribution of high quality products for dogs.

From our head office in Portugal, we send our products.

You can visit our online shop and please feel free to contact us with any questions or special requests!

Product structure diagram



- | | | | |
|-------------------|------------------------|----------------|--------------------|
| ① MICROPHONE | ② LENS | ③ MODE KEY | ④ CAMERA INDICATOR |
| ⑤ VIDEO INDICATOR | ⑥ WIFI INDICATOR | ⑦ POWER BUTTON | |
| ⑧ USB PORT | ⑨ CHARGING INDICATOR | ⑩ RESET HOLE | |
| ⑪ TF CARD SLOT | ⑫ MULTIFUNCTIONAL BASE | | |

Description of key functions

“OK” key: long-press “OK” for on or off short-press “OK” to enter video recording in video standby mode; and short-press “OK” to take a picture in photo standby mode “M” key: Press. “M” for a long time in video standby mode to turn on or off WIFI, in the video standby mode, in standby mode, press the “M” key to switch to camera mode.

Description of indicator lights

- 1- Blue light: Blue light flashes slowly to indicate that video is being recorded, and blue light is always on to indicate that the video is in standby mode
- 2- Yellow light Yellow light flashes once to take a picture, and yellow light always to take a picture in standby mode.
- 3- Green light Green light always lights up to turn on WIFI: Green light goes out to turn
- 4- Red light Red light flashes slowly when charging When the charge is full the red always on Connect to the computerized light always on

Product features

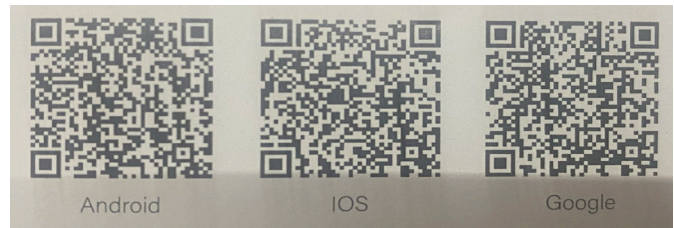
-1080P HD picture quality - Compact design portable sports DV - WIFI hotspots, real-time video transmission - Support 256G Micro SD card - Supports MP4 video format - Supports waterproof living - USB 2.0 interface for high speed transmission

Functional operations

- 1-Boot Long press “OK” key to boot, directly into the video standby mode in which blue light on When there is a card, blue light flashes once and then always lights up When there is no card the blue light flashes 5 times and then automatically shuts down when no function is used in standby mode, a blue light will automatically shut down after standby for minute and flash for 5 times (WIFI on will not turn off)
- 2-Video recording in the video standby mode, press the Ok key and blue light flashes slowly to enter the video recording short-press “OK” again, stop recording blue light as always on and return to video standby mode.
- 3-Photography in the video standby mode short-press the “M” to enter the photos standby mode and the yellow light is always on in the standby mode of pictures, press the “Ok” key briefly yellow light flashes once and one picture taken, which is automatically saved and return to take pictures for standby.
- 4-Shutdown: long-press “OK” to shut down in any mode and the indicator light goes out to shut down. Save the file before shutting down in the video recording state.

APP download

For Android phones or tablets please search for “Sports Camera” in Baidu Mobile Assistant and Google Play store to download it For iPhone phones, you can search for “Sports Camera” in the App Store or scan the QR code on the instruction book to download it



WIFI Mode

(1)WIFI switch

1-No card, turn on W the “M” key for 2 seconds when the blue light is turned on for 8 seconds, and machine will automatically shut down after 8 seconds

2-With a card, turn on WIP Press the “M” key for 2 seconds in video standby mode. The green light always on and the WIFI is turned on Press the M key again for 2 seconds and the WIFI will turn off and the green light will go out.

(2)WIFI connection

search for the network with the connection name “CS beginning the WIFI settings of the mobile phone or tablet: Open the mobile App to enter the main interface, and then click play to enter the operation interface Select video/photo in the operation interface, and you can also use the machine buttons to operate Please click on the main interface “Help if you encounter other problems during operation.

Time Setting

After the machine is connected to WIFI and enters the APP, the mobile phone time will be automatically synchronized. Time watermarking is turned on or off in APP settings.

Note:

1- Make sure that the T-flash (Micro SD) card is inserted into the product. The machine can't be used normally without a card (it can be operated by mobile phone in WIFI state).

2-Please aim the lens at the subject's lighting. Keep a distance of more than 50cm from the subject, so that you will get an appropriate natural, clear and stable image.

Low power indication

When the battery power is too low, the red light flashes every 3 seconds; When the battery voltage reaches the shutdown voltage, the red light flashes for 5 seconds and then shuts down.

Charging

When charging, red light flashes; When full, red light is always on.

Reset

When the machine is dead and the keys are invalid and can not be used normally, you can insert and click the keys in the reset hole with a pointed object to reset the machine, by which it can be used normally.

Connect to the computer

You can connect directly to the computer in the startup, standby, and shutdown states. Connect the computer, it can be used as a U disk, free copy of files, cut, delete, and U disk format Connect the machine to the USB port of the computer. After a successful connection, After a few seconds, the computer will pop up the removable disk identity and can transfer data,

Tips:

1 Please reset and re-unplug once if it is not recognized by the computer or the removable disk dan 30 seconds.

2 It is recommended to use XT5 adapter to read video files directly for playing.

Through direct playback of vids stored in the memory of the machine may not be smart because the amount is too large to keep up with the transmission



KAS SYSTEM ONE YEAR LIMITED WARRANTY

KAS SYSTEM products are warranted to be free from defects in materials or workmanship for six (6) months from the date of purchase. Within this period, we will, at our sole discretion, repair or replace any components that fail in normal use. Such repairs or replacement will be made at no charge to you for parts and/or labor, provided that you shall be responsible for any transportation charges. Replacement parts may be new or refurbished at our discretion.

This warranty does not apply to: such as scratches, consumable parts, such as batteries, unless product damage has occurred due to a defect in materials or workmanship; damage caused by accident, abuse, misuse, water, flood, fire, or other acts of nature or external causes; damage to a product that has been modified or altered without the prior permission of KAS SYSTEM.

Repair can reach up to forty five (45) day warranty. If the unit sent in is still under its original warranty, then the new warranty will be the longer of thirty (30) days or the balance of the original one year warranty.

Email us at geral@kassystem.com to obtain an RMA number. Once you have obtained the RMA number, please send us your purchased KAS SYSTEM product with the RMA number clearly marked on the outside of the package and on the shipping slip if you choose to use traceable carriers such as UPS or FEDEX. Shipping fees for returns are your responsibility, If the malfunction is not responsibility of KAS SYSTEM. Return shipping instructions and return address will be included in your RMA document provided by KAS SYSTEM.

KAS SYSTEM Repair points:
United States of America (Texas) Europe (Portugal)



GET IN TOUCH!

KAS SYSTEM

Phone + 351 929157104

Email: geral@kassystem.com

Web: www.kassystem.com